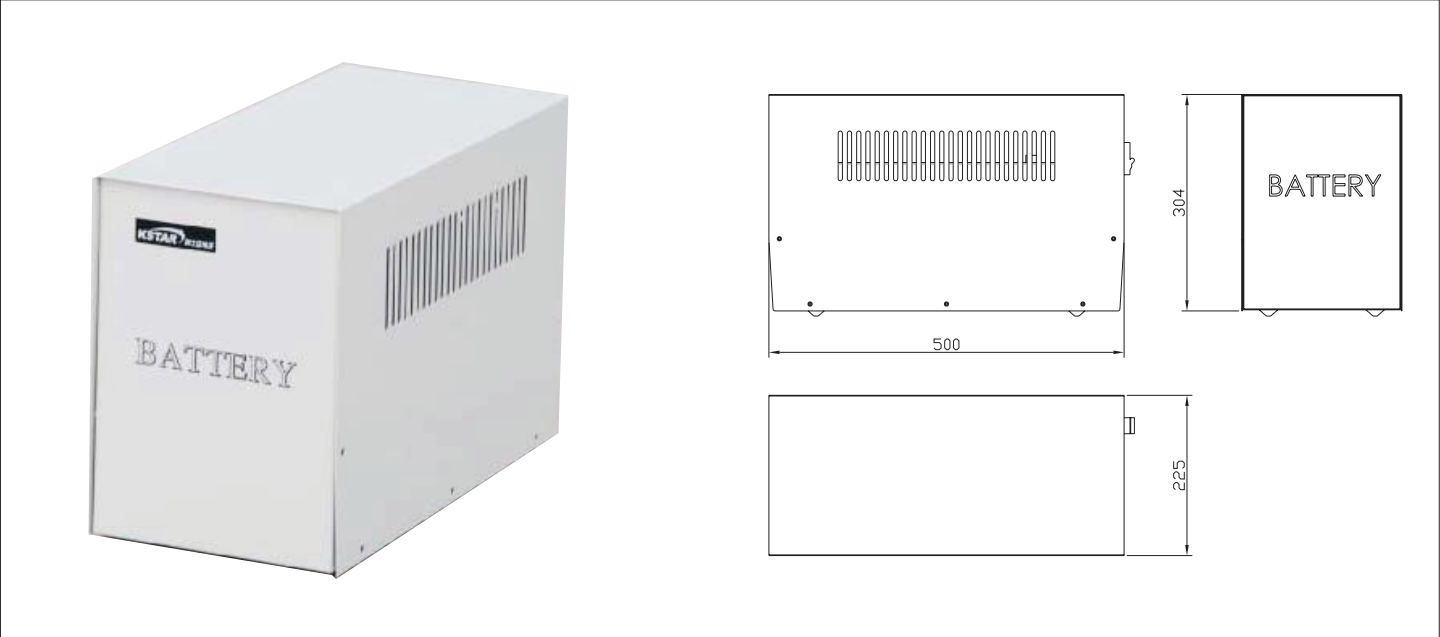


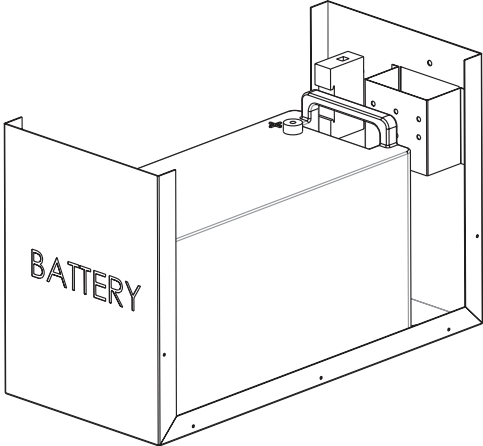
# A1 Battery cabinet



## ■ SPECIFICATIONS

Net weight	5.3 kg
Dimensions :	
Length	500 mm
Width	225 mm
Height	304 mm

## ■ INTERNAL STRUCTURE



Note: Don't reverse battery polarities , or battery will be damaged

## ■ WIRING DIAGRAM

