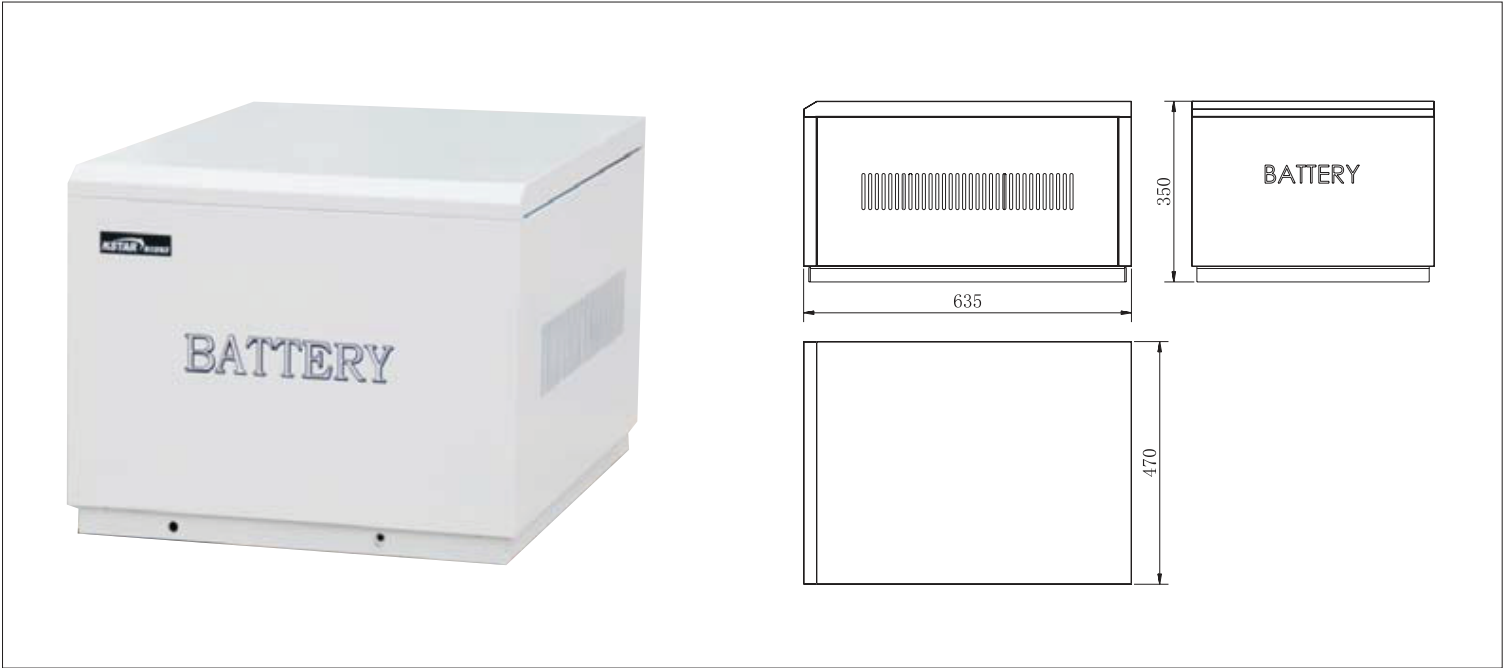


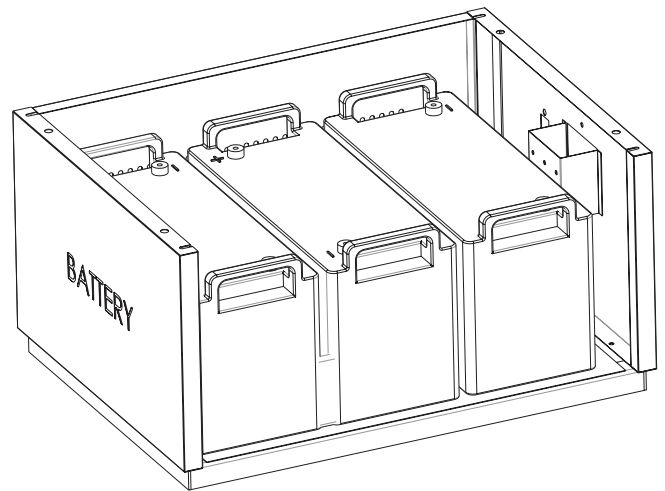
# A3 Battery cabinet



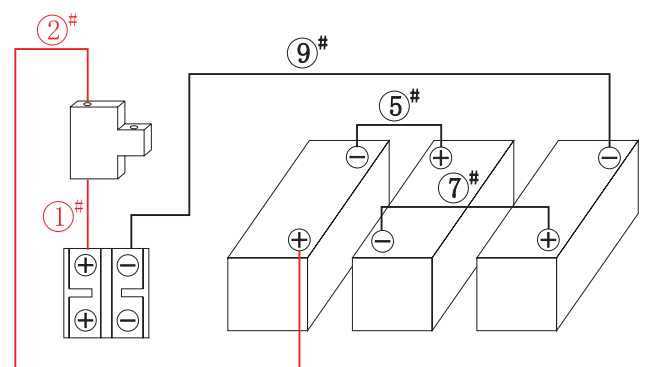
## ■ SPECIFICATIONS

Net weight:	12.5 kg
Dimensions:	
Length:	635 mm
Width:	470 mm
Height:	350 mm

## ■ INTERNAL STRUCTURE



## ■ WIRING DIAGRAM



Note: Don't reverse battery polarities, or battery will be damaged