

DVR-204U-M1 TURBO HD DVR

Key Feature

- Deep learning based human and vehicle targets classification of Motion Detection 2.0
- H.265 Pro+/H.265 Pro/H.265/H.264+/H.264 video compression
- HDTVI/AHD/CVI/CVBS/IP video inputs
- Audio via coaxial cable
- Up to 6-ch IP camera inputs (up to 8 MP)
- Up to 8 MP@8 fps encoding capability



Smart Function

- Deep learning based human and vehicle targets classification of Motion Detection 2.0

Compression and Recording

- H.265 Pro+ video compression improves encoding efficiency, and reduces data storage costs
- Support 8 MP@8 fps encoding

Storage and Playback

- 1 SATA interface (up to 10 TB capacity)
- Smart search for efficient playback

Network & Ethernet Access

- Compatible with major Wi-Fi dongle products in the market
- HiLookVision & DDNS (Dynamic Domain Name System) for easy network management

▪ Specification

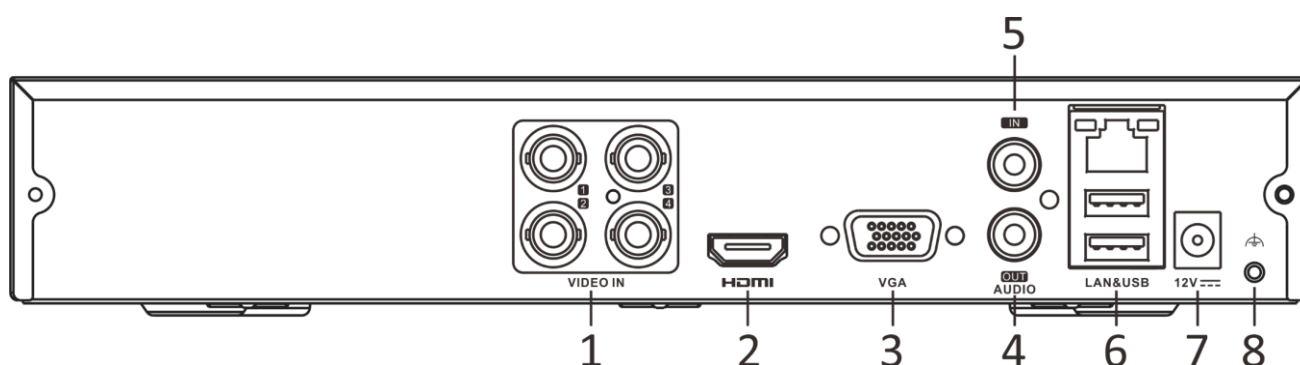
Motion Detection 2.0	
Human/Vehicle Analysis	<p>Deep learning-based motion detection 2.0 is enabled by default for all analog channels, it can classify human and vehicle, and extremely reduce false alarms caused by objects like leaves and lights;</p> <p>Quick search by object or event type is supported;</p>
Recording	
Video Compression	H.265 Pro+/H.265 Pro/H.265/H.264+/H.264
Encoding Resolution	8 MP/5 MP/3K/4 MP/3 MP/1080p/720p/WD1/4CIF/VGA/CIF
Frame Rate	<p>Main stream:</p> <p>8 MP@8 fps/3K@12 fps/5 MP@12 fps/4 MP@15 fps/3 MP@18 fps</p> <p>1080p/720p/WD1/4CIF/VGA/CIF@25 fps (P)/30 fps (N)</p> <p>*: 8 MP@8 fps is only available for channel 1.</p> <p>Sub-stream:</p> <p>WD1/4CIF/CIF@25 fps (P)/30 fps (N)</p>
Video Bitrate	32 Kbps to 10 Mbps
Dual-stream	Support
Stream Type	Video, Video & Audio
Audio Compression	G.711u
Audio Bitrate	64 Kbps
Video and Audio	
IP Video Input	<p>2-ch (up to 6-ch)</p> <p>Enhanced IP mode on:</p> <p>4-ch (up to 8-ch), each up to 4 Mbps</p> <p>Up to 8 MP resolution</p> <p>Support H.265+/H.265/H.264+/H.264 IP cameras</p>
Analog Video Input	<p>4-ch</p> <p>BNC interface (1.0 Vp-p, 75 Ω), supporting coaxitron connection</p>
HDTVI Input	<p>8 MP@15 fps, 8 MP@12.5 fps, 3K@20 fps, 5 MP@20 fps, 5 MP@12 fps, 4 MP@30 fps, 4 MP@25 fps, 3 MP@18 fps, 1080p@30 fps, 1080p@25 fps, 720p@60 fps, 720p@50 fps, 720p@30 fps, 720p@25 fps</p>
AHD Input	<p>5 MP@20 fps, 4 MP@25 fps, 4 MP@30 fps, 1080p@25 fps, 1080p@30 fps, 720p@25 fps, 720p@30 fps</p>
HDCVI Input	<p>4 MP@25 fps, 4 MP@30 fps, 1080p@25 fps, 1080p@30 fps, 720p@25 fps, 720p@30 fps</p>

CVBS Input	PAL/NTSC
HDMI Output	1-ch, 1920 × 1080/60Hz, 1280 × 1024/60Hz, 1280 × 720/60Hz, 1024 × 768/60Hz
VGA Output	1-ch, 1920 × 1080/60Hz, 1280 × 1024/60Hz, 1280 × 720/60Hz, 1024 × 768/60Hz
Video Output Mode	HDMI/VGA simultaneous output
Audio Input	1-ch, RCA (2.0 Vp-p, 1 K Ω) 4-ch via coaxial cable
Audio Output	1-ch, RCA (Linear, 1 K Ω)
Two-Way Audio	1-ch, RCA (2.0 Vp-p, 1 K Ω) (using the first audio input)
Synchronous Playback	4-ch
Network	
Total Bandwidth	96 Mbps
Remote Connection	32
Network Protocol	TCP/IP, PPPoE, DHCP, HiLookVision, DNS, DDNS, NTP, SADP, NFS, iSCSI, UPnP™, HTTPS, ONVIF
Network Interface	1, RJ45 10M/100M self-adaptive Ethernet interface
Wi-Fi	Connectable to Wi-Fi network by Wi-Fi dongle through USB interface
Auxiliary Interface	
SATA	1 SATA interface
Capacity	Up to 10 TB capacity for each disk
Alarm In/Out	N/A
USB Interface	2 × USB 2.0
General	
Power Supply	12 VDC, 1.5 A
Consumption	≤ 15 W (without HDD)
Working Temperature	-10 °C to +55 °C (+14 °F to +131 °F)
Working Humidity	10% to 90%
Dimension (W × D × H)	260 × 222 × 45 mm (10.2 × 8.7 × 1.8 inch)
Weight	≤ 1.16 kg (without HDD, 2.6 lb.)

Note:

Enhanced IP mode might be conflicted with smart events (motion detection 2.0) or other functions, please refer to the user manual for details.

Physical Interface



No.	Description	No.	Description
1	Video and coaxial audio in	5	AUDIO IN, RCA connector
2	HDMI interface	6	LAN network interface and USB interface
3	VGA interface	7	12 VDC power input
4	AUDIO OUT, RCA connector	8	GND

Available Model

DVR-204U-M1



Headquarters

No.555 Qianmo Road, Binjiang District,
Hangzhou 310051, China
T +86-571-8807-5998

Technical Support: support@hikvision.com

Follow us on social media to get the latest product and solution information.



Hikvision



HikvisionHQ



HikvisionHQ



Hikvision_Global



Hikvision
Corporate Channel



hikvisionhq