

# Network Video Recorder

## NVR501-B-P Series



### Key Features

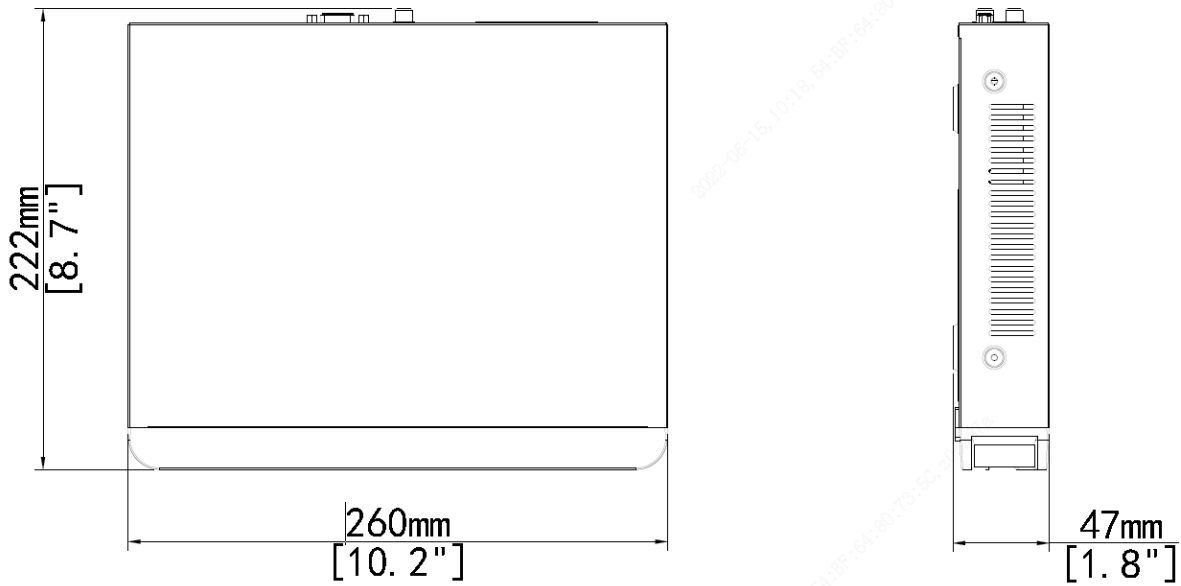
- Support Ultra 265/H.265 video formats
- 4/8-channel input
- Plug & Play with 4/8 independent PoE network interfaces
- Support mainstream cameras of ONVIF conformance(Profile S, Profile G, Profile T ) and RTSP protocols
- Support HDMI and VGA simultaneous output
- Up to 8 Megapixels resolution recording
- 1 SATA HDDs, up to 8TB for each HDD
- ANR technology to enhance the storage reliability when the network is disconnected
- Support cloud upgrade

## Specifications

Model	NVR501-04B-P4	NVR501-08B-P8
<b>Video/Audio Input</b>		
IP Video Input	4-ch	8-ch
Audio Input	1-ch, RCA	
<b>Network</b>		
Incoming Bandwidth	80Mbps	
Outgoing Bandwidth	64Mbps	
Remote Users	128	
Protocols	TCP/IP, P2P, UPnP, NTP, DHCP, PPPoE, HTTP, HTTPS, DNS, DDNS, SNMP, SMTP	
Browser	IE(IE10/11) for Windows Firefox (version 52.0 and above) for Windows Chrome(version 45 and above) for Windows Edge(version 79 and above) for Windows	
<b>Video/Audio Output</b>		
HDMI/VGA Output	HDMI: 4K (3840x2160)@30, 1920x1080p@60, 1920x1080p@50, 1600x1200@60, 1280x1024@60, 1280x720@60, 1024x768@60 VGA: 1920x1080p@60, 1920x1080p@50, 1280x1024@60, 1600x1200@60, 1280x720@60, 1024x768@60	
Recording Resolution	8MP/6MP/5MP/4MP/3MP/1080p/960p/720p/D1/2CIF/CIF	
Audio Output	1-ch, RCA	
Two-way Audio	1-ch, RCA(Using the audio input and output)	
Audio Compression	G.711A, G.711U	
Synchronous Playback	4-ch	8-ch
Liveview display	1/4	1/4/6/8/9
Corridor Mode Screen	3/4	3/4/5/7/9
<b>Snapshot</b>		
FTP/Schedule/Event Snapshot	4-ch snapshot, up to D1 resolution	
<b>Decoding</b>		
Decoding format	Ultra 265/H.265	
Live view/Playback	8MP/6MP/5MP/4MP/3MP/1080p/960p/720p/D1/2CIF/CIF	
Capability	4 x 4K@30, 6 x 5MP@30, 8 x 4MP@30, 9 x 4MP@25, 10 x 3MP@30, 16 x 1080p@30	
<b>Hard Disk</b>		
SATA	1 SATA interfaces	
Capacity	Up to 8TB for each disk (The maximum HDD capacity varies with environment temperature)	
<b>Smart</b>		
VCA Detection by Camera	Intrusion Detection, Cross Line Detection, Enter Area, Leave Area, Defocus Detection, Scene Change Detection, Object Left Behind, Object Removed, Auto Tracking, SMD(Smart Motion Detection)	
VCA Search	Behavior Search, People Counting Report	
People counting	People Flow Counting, Crowd Density Monitoring	

Smart Intrusion Prevention (SIP), SMD by Camera	Total 4-ch	
<b>General Alarm</b>		
General Alarm	Motion, Tampering, Human Body Detection, Video Loss, Alarm Input, Audio Detection	
Alert Alarm	IP Conflict, Network Disconnected, Disk Offline , Disk Abnormal, Illegal Access, Hard Disk Space Low, Hard Disk Full, Recording/Snapshot Abnormal	
<b>External Interface</b>		
Network Interface	1 RJ-45 10M/100M self-adaptive Ethernet Interface	
USB Interface	Front panel: 1 x USB2.0, Rear panel: 1 x USB3.0	
RS232	NA	
RS485	NA	
Alarm In	NA	
Alarm Out	NA	
<b>PoE</b>		
Interface	4 RJ-45 10M/100M self-adaptive Ethernet Interface	8 RJ-45 10M/100M self-adaptive Ethernet Interface
Max Power	Max 30W for single port Max 50W in total	Max 30W for single port Max 75W in total
Supported Standard	IEEE 802.3af/at	
<b>General</b>		
Power Supply	48V DC/1.35A Power Consumption: ≤ 10W (without HDD)	52V DC/1.8A Power Consumption: ≤ 10W (without HDD)
Working Environment	-10°C~+ 55°C (+14°F~+131°F), Humidity ≤ 90% RH (non-condensing)	
Dimensions (W×D×H)	260mm × 222mm × 47mm (10.2" × 8.7" × 1.8")	
Weight (without HDD)	≤ 0.98Kg (2.16lb)	
<b>Certification</b>		
Certification	CE, FCC, UL, RoHS, WEEE	
CE	EN 55032: 2015, EN 61000-3-3: 2013, EN IEC 61000-3-2: 2019, EN 55035: 2017	
FCC	Part15 Subpart B, ANSI C63.4	

## Dimensions



## Rear Panel

Take **NVR501-08B-P8** for example

